


PRODUCT SHEET

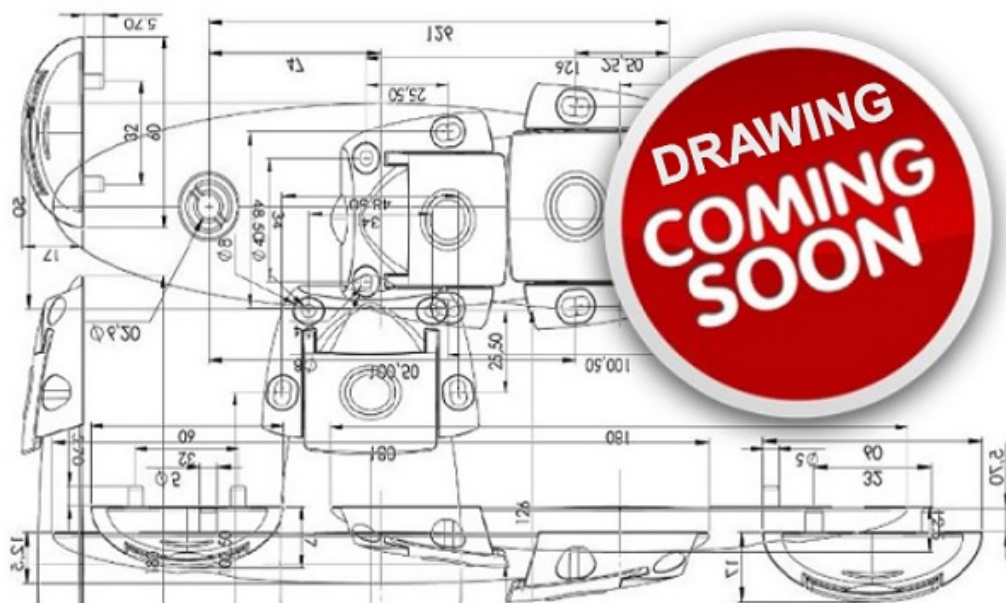
Description:

Washer, DIN 125-A, Steel, YZP, 1,6mm, ID 8,4mm, OD 16mm

Item number:

12.13.315-0

Units	Box	Carton	HS Code	Barcode
Pcs.	1000	10000	7318220098	 5704866029186



SISO A/S
Mileparken 11
DK-2740 Skovlunde
Denmark
VAT: DK 24786013

Phone +45 45 830 900
www.siso.dk
siso@siso.dk

Danske Bank
Nytorv Branch
Copenhagen
SWIFT: DABADKKK

Account no.
4180 3112 112936
IBAN Account
DK7230003112112936